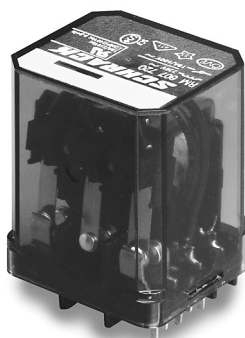


## Power Relay RM 5/6

2 / 3 pole 10 / 16 A, DC- or AC-coil



F0164-A

### Features

- 2 N/O or 3 N/O contacts
- 3 mm contact gap
- Push-to-test-button
- Plug-in version, PCB terminals, chassis- or DIN-rail mount

### Applications

Power supplies, pump control



Technical data of approved types on request

Contact data	RM 5	RM 6
Configuration	2 N/O contact	3 N/O contact
Type of contact	single contact	
Rated current	16 A	10 A
Rated voltage / max. breaking voltage AC	380 Vac / 440 Vac	
Maximum breaking capacity AC	6000 VA	3800 VA
Make current (max. 4 s at duty cycle 10%)	25 A	25 A
Contact material	AgCdO	

### Coil data

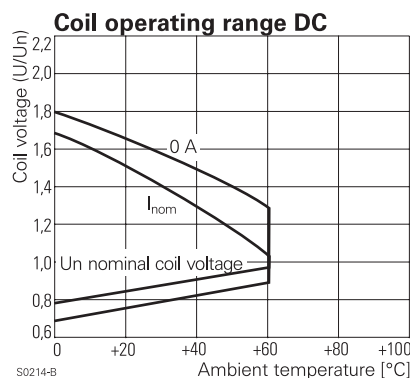
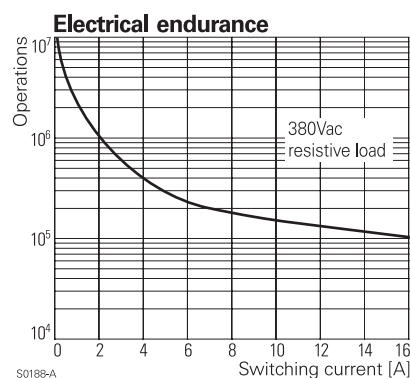
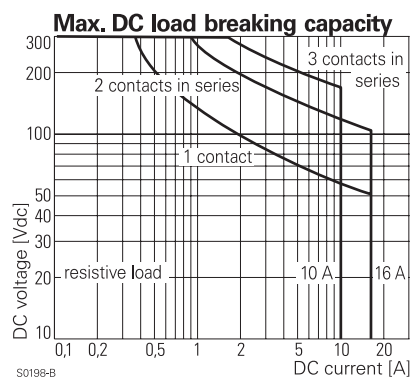
Nominal voltage	DC coil	6...220 Vdc
	AC coil	6...400 Vac
Nominal coil power	DC coil	1.6 W
	AC coil	2.8 VA

### Coil versions, DC-coil, RM5, RM6

Coil code	STD	LED bipolar	LED PD* PD*	Nominal voltage Vdc	Pull-in voltage Vdc	Release voltage Vdc	Coil resistance $\Omega$	Coil current mA
006	L06	0A6	LA6	6	4.5	0.6	24 $\pm$ 10%	250.0
012	L12	0B2	LB2	12	9.0	1.2	86 $\pm$ 10%	139.5
<b>024</b>	<b>L24</b>	<b>0C4</b>	<b>LC4</b>	<b>24</b>	<b>18.0</b>	<b>2.4</b>	<b>345<math>\pm</math>10%</b>	<b>69.6</b>
048	L48	0E8	LE8	48	36.0	4.8	1340 $\pm$ 10%	35.8
060	L60	0G0	LG0	60	45.0	6.0	2200 $\pm$ 10%	27.3
110	M10	1B0	MB0	110	82.5	11.0	7300 $\pm$ 10%	15.1
221	N21	2C1	NC1	220	165.0	22.0	30000 $\pm$ 15%	7.3

All figures are given for coil without preenergization, at ambient temperature +20 °C

\* Protection diode PD; standard polarity: +A1 / -A2



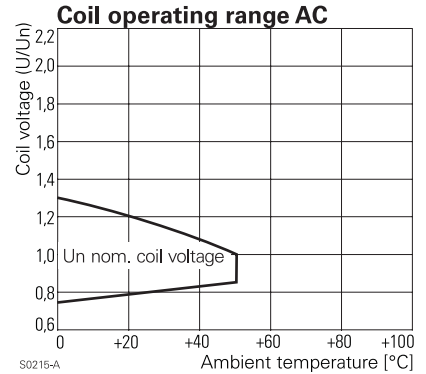
## Power Relay RM 5/6

2 / 3 pole 10 / 16 A, DC- or AC-coil

### Coil versions, AC-coil, RM5, RM6

Coil code	Standard	LED	Nominal voltage Vac	Pull-in voltage Vac	Release voltage Vac	Coil resistance $\Omega$	Coil current mA
506	R06		6	4.8	2.4	4.7±10%	476.7
512	R12		12	9.6	4.8	19.5±10%	225.8
<b>524</b>	<b>R24</b>		<b>24</b>	<b>19.2</b>	<b>9.6</b>	<b>80±10%</b>	<b>109.2</b>
548	R48		48	38.4	19.2	320±10%	54.2
560	R60		60	48.0	24.0	500±10%	43.7
615	S15		115	92.0	46.0	1850±10%	23.0
<b>730</b>	<b>T30</b>		<b>230</b>	<b>184.0</b>	<b>92.0</b>	<b>7500±10%</b>	<b>11.7</b>
900	V00		400	320.0	160.0	23500±15%	6.5

All figures are given for coil without preenergization, at ambient temperature +20°C



### Insulation

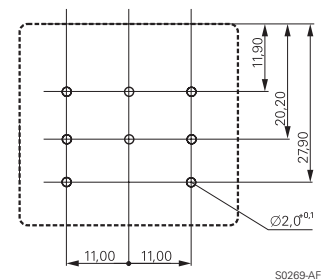
Dielectric strength	coil-contacts	2500 V <sub>rms</sub>
	open contact circuit	2500 V <sub>rms</sub>
	adjacent contacts	2500 V <sub>rms</sub>
Clearance / creepage		≥ 3.5 / 6 mm
Insulation to VDE 0110b (2/79)		
Insulation category / reference voltage		C / 400 with fully isolated Faston connectors

### Other data

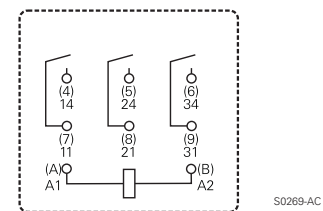
Ambient temperature	DC-coil	-45...+60 °C
	AC-coil	-45...+50 °C
Mechanical life		>20x10 <sup>6</sup> operations
Max. switching rate at rated- / minimum load		16 min <sup>-1</sup> / 100 min <sup>-1</sup>
Operate- / release time		approx. 15 / 10 ms
Bounce time		approx. 4 ms
Vibration resistance		>12 g, 30...150 Hz
Category of protection (IEC 61810)		RT I - dust protected
Relay weight		81 g
Packaging unit		10 / 25 pcs.
Accessories		see accessories RM

### Printbild/Schaltbild

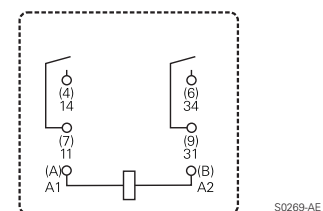
Ansicht auf die Anschlüsse  
Abmessungen in mm



### 3 Schließer



### 2 Schließer



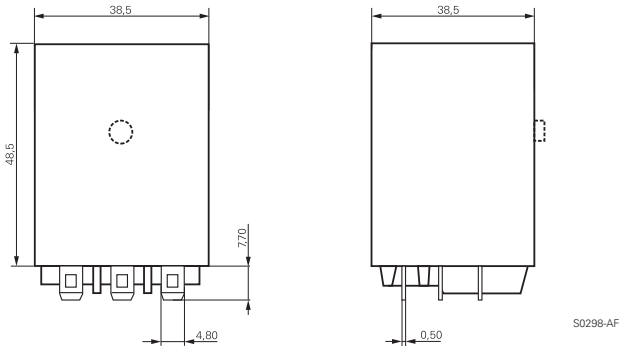
## Power Relay RM 5/6

2 / 3 pole 10 / 16 A, DC- or AC-coil

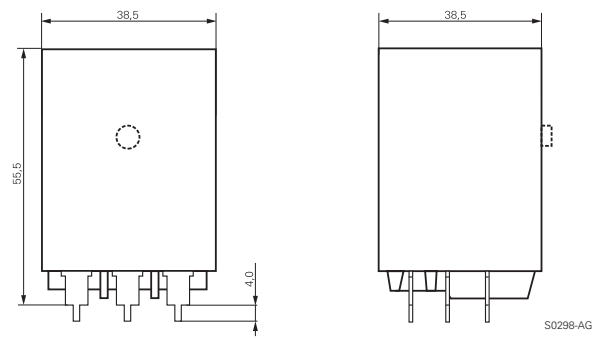
### Dimensions

Dimensions in mm

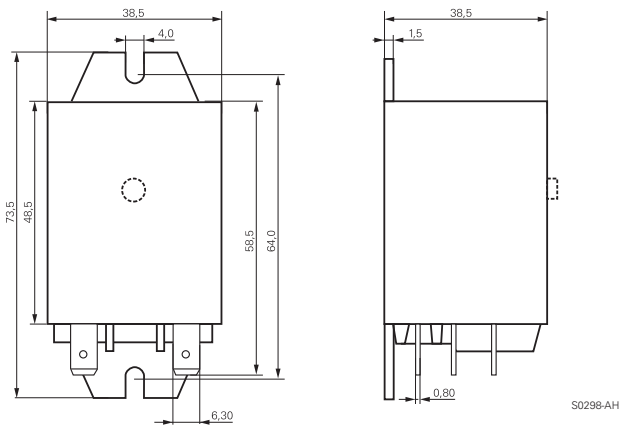
Plain cover, plug-in version



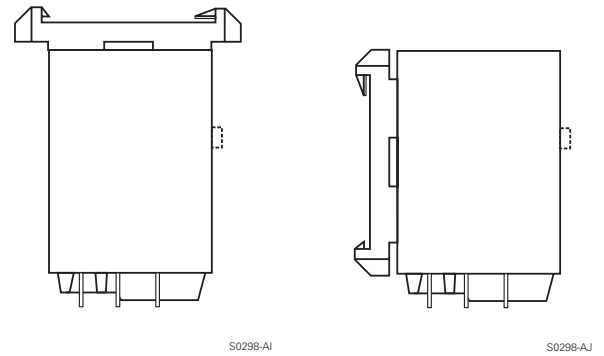
PCB version



Cover with mounting brackets, FASTON 250 (187 available)



Cover with DIN-snap-on attachment (FASTON 250 only)  
horizontal vertical



### Product key

Type

Contacts

**5** 2 N/O contacts, 16 A      **6** 3 N/O contacts, 10 A

Version

**0** without test button, without mechanical indicator  
**3** with test button, without mechanical indicator

Mounting

**2** plain cover, AMP-Faston 187  
**3** cover with mounting brackets, AMP-Faston 187  
**5** cover with mounting brackets, AMP-Faston 250  
**7** PCB version  
**8** cover with DIN-snap-on attachment, horizontal, AMP-Faston 250  
**9** cover with DIN-snap-on attachment, vertical, AMP-Faston 250

Coil

Coil code: please refer to coil versions table, preferred types in bold print

AMP-Faston 187 = 4.8 x 0.5 mm      AMP-Faston 250 = 6.3 x 0.8 mm



Rights to change data / design reserved