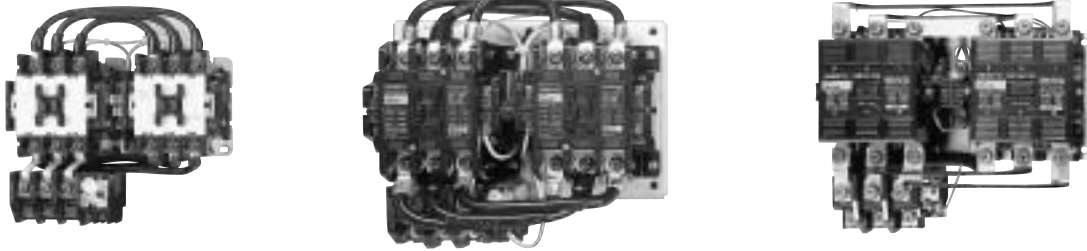
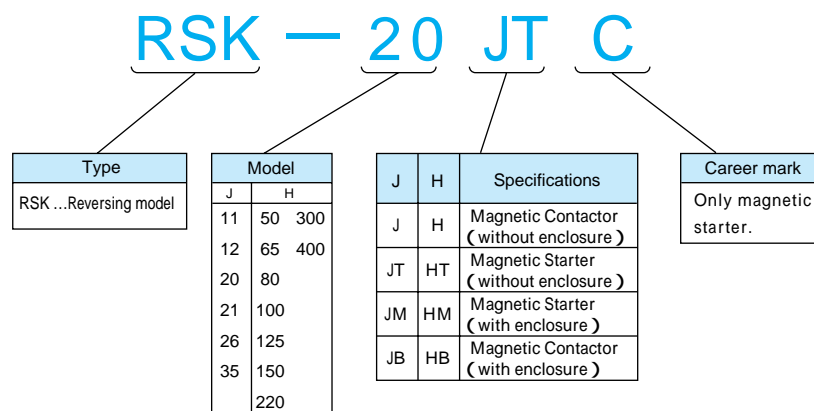


# REVERSING MAGNETIC STARTERS AND CONTACTORS



Two standard magnetic contactors are mounted together with a high-reliable mechanical interlock (RSK-11J is an integral type) . The RSK-12J to 35J interlock units (ML-E type)is provided with both mechanical interlock and electrical interlock contacts (1NCx2).

## Model identification

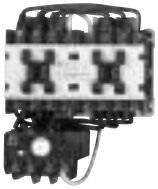


## Ratings, performance and specifications

Item	Item Page
Rated capacity and operational current ( same as PAK with same frame )	7
Application for standard motors ( same as PAK with same frame )	9
Characteristics and performance ( same as PAK with same frame )	10 ~ 12
Auxiliary contact ratings ( same as PAK with same frame )	7
Operating coil ratings ( same as PAK with same frame )	8
Applicable wire size and tightening torque ( same as PAK with same frame )	16
Thermal overload relays	57 ~ 74

11J

RSK-11JTC



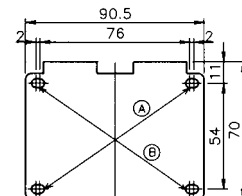
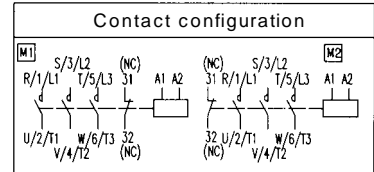
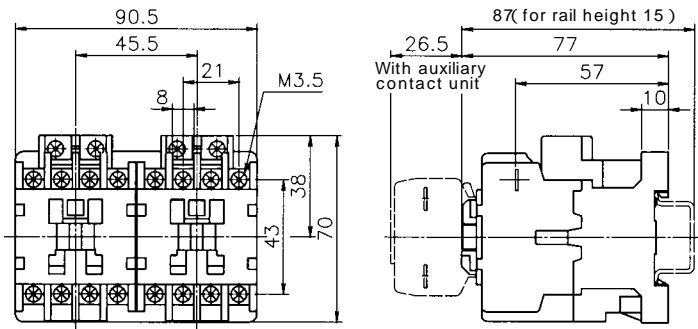
Ratings

Frame		11J	
Rated capacity	AC-3 (kW)	240V	3.7
		440V	4.5
		550V	4.5
AC-1 (A) (500,000 ops)	240V	20	
	440V	20	
	550V	20	

Applicable wire size and tightening torque

		Screw size	Applicable wire size	Applicable terminal connector	Tightening torque N·m (kgf·cm)
Contactor	Main circuit	M3.5	1 ~ 1.6	1.25 - 3.5	0.8 ~ 1.2 (8 ~ 12)
	Aux. circuit		0.5 ~ 2mm <sup>2</sup>		
Thermal overload relay	Main circuit	M4	1 ~ 2	1.25 - 4	1.2 ~ 1.8 (12 ~ 18)
	Aux. circuit	M3.5	1 ~ 1.6	1.25 - 3.5	0.8 ~ 1.2 (8 ~ 12)

Magnetic contactor ( open type ) RSK-11J

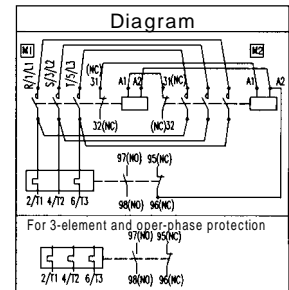
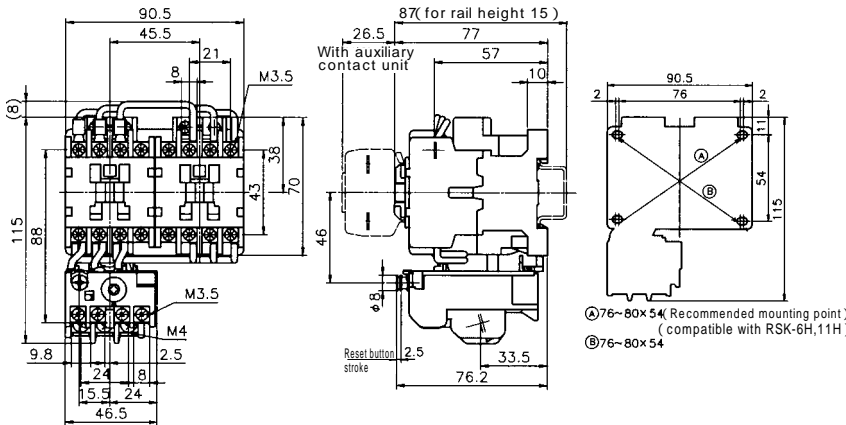


A 76 ~ 80 × 54 ( Recommended mounting hole )  
( compatible with RSK-6H,11H )

B 76 ~ 80 × 54

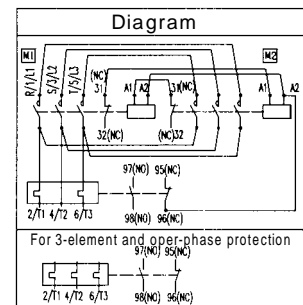
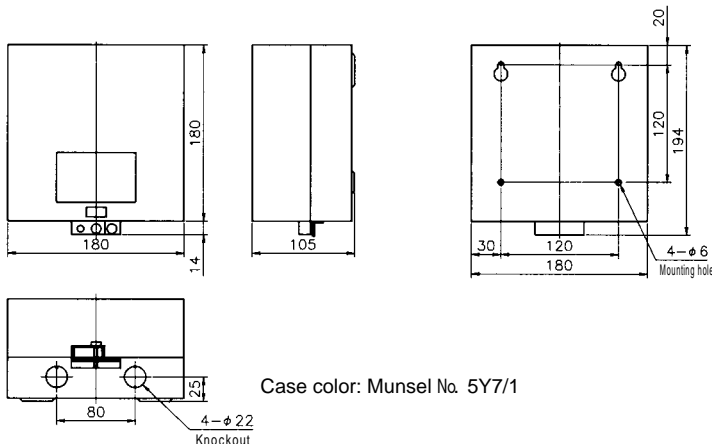
Weight 0.6kg

Magnetic starter ( open type ) RSK-11JTC



Weight 0.72kg

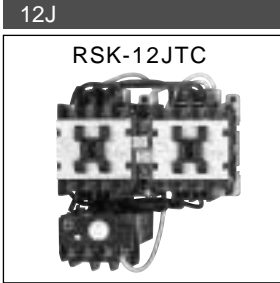
Magnetic starter · contactor ( enclosed type ) RSK-11JMC ( JB )



Weight 11JMC = 1.82kg

11JB = 1.7kg

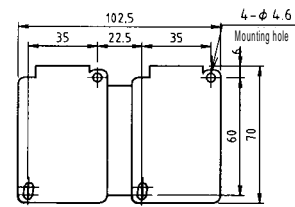
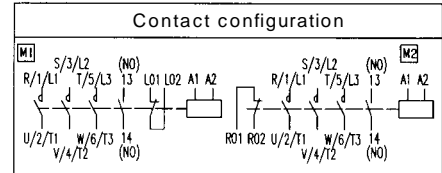
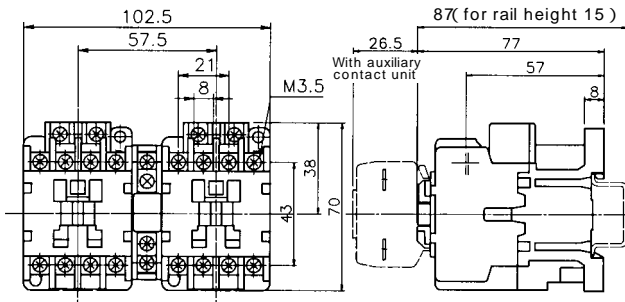
Above diagram is for magnetic starter.



Ratings		12J	
Rated capacity	Frame	240V	4
		440V	5.5
		550V	5.5
	AC-3 (kW)	240V	26
		440V	26
550V		26	
AC-1 (A) (500,000 ops)	240V	26	
	440V	26	
	550V	26	

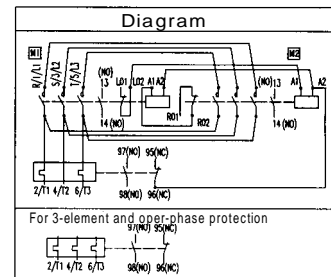
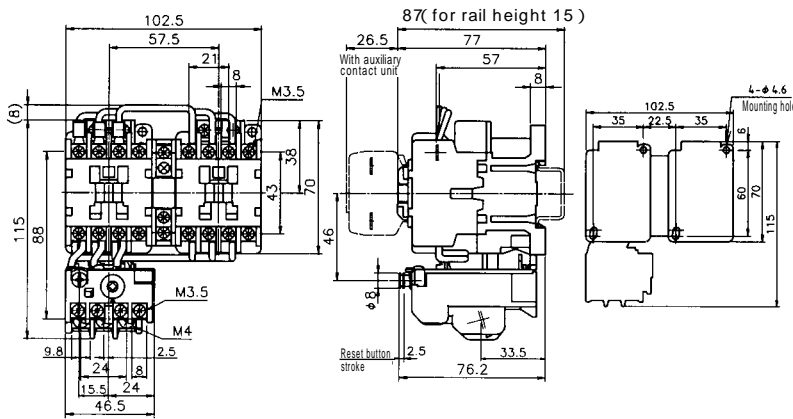
Applicable wire size and tightening torque					
		Screw size	Applicable wire size	Applicable terminal connector	Tightening torque N·m(kgf·cm)
Contactor	Main circuit	M3.5	1 ~ 1.6	1.25 - 3.5	0.8 ~ 1.2 (8 ~ 12)
	Aux. circuit		0.5 ~ 2mm <sup>2</sup>		
Thermal overload relay	Main circuit	M4	1 ~ 2	1.25 - 4	1.2 ~ 1.8 (12 ~ 18)
	Aux. circuit	M3.5	0.5 ~ 3.5mm <sup>2</sup>	5.5 - 4	0.8 ~ 1.2 (8 ~ 12)

Magnetic contactor ( open type ) RSK-12J



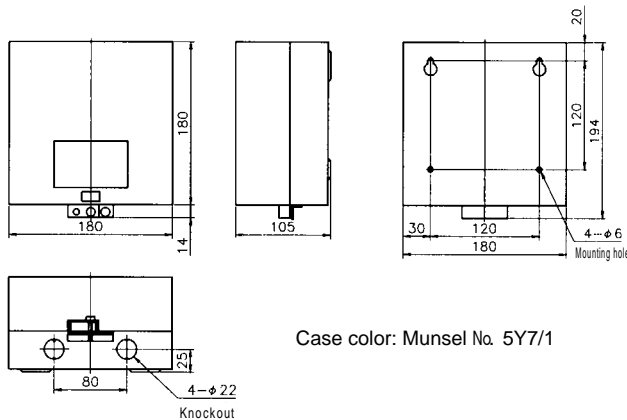
Weight 0.63kg

Magnetic starter ( open type ) RSK-12JTC

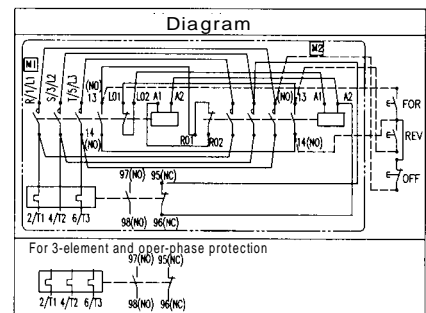


Weight 0.75kg

Magnetic starter · contactor ( enclosed type ) RSK-12JMC ( JB )



Case color: Munsel No. 5Y7/1



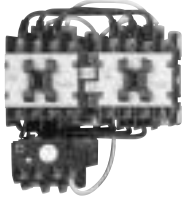
Weight 12JMC = 1.85kg  
12JB = 1.73kg

Dashed lines are not connected.  
Above diagram is for magnetic starter.

① If operating from other power source, remove " B ", and connect the supply to #95 and " A " on the pushbutton terminal.

20J

RSK-20JTC



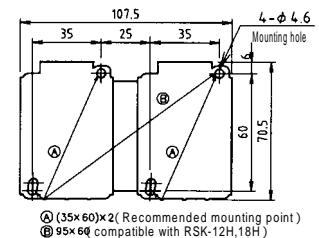
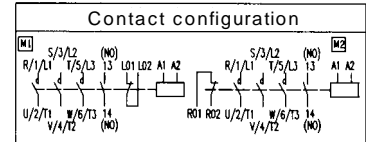
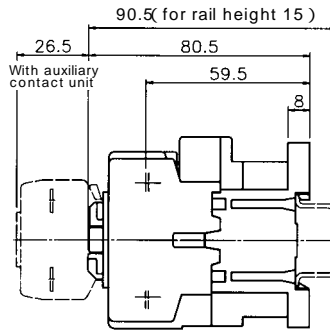
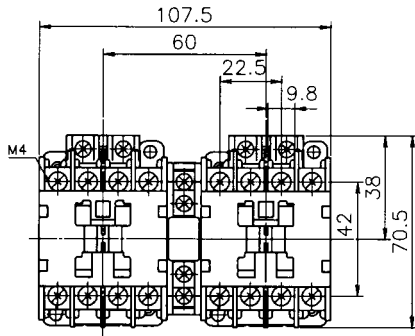
Ratings

Frame		20J	
Rated capacity	AC-3 (kW)	240V	7.5
		440V	11
		550V	11
AC-1 (A) (500,000 ops)	240V	32	
	440V	32	
	550V	32	

Applicable wire size and tightening torque

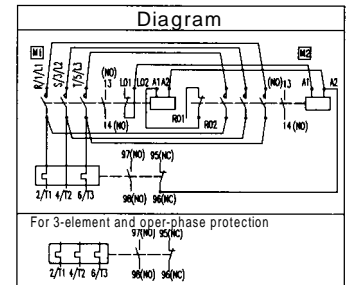
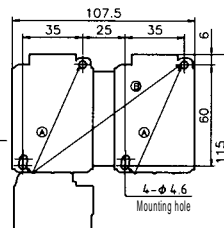
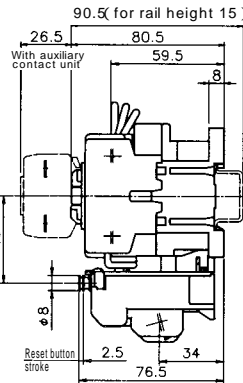
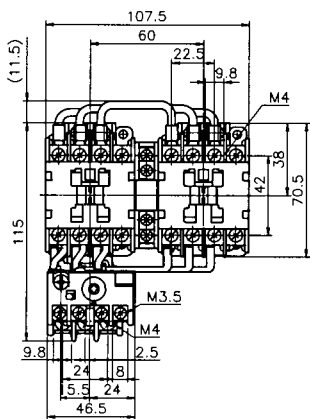
		Screw size	Applicable wire size	Applicable terminal connector	Tightening torque N·m(kgf·cm)
Contactor	Main c.	M4	1 ~ 2	1.25-4	1.2 ~ 1.8
	Aux c.		0.5 ~ 3.5mm <sup>2</sup>	3.5-4	(12 ~ 18)
Thermal overload relay	coil circuit	M3.5	1 ~ 1.6	1.25-3.5	0.8 ~ 1.2
	Main circuit	M4	0.5 ~ 2mm <sup>2</sup>	2-3.5	(8 ~ 12)
Aux. circuit	M3.5		1 ~ 1.6	1.25-3.5	0.8 ~ 1.2
			0.5 ~ 2mm <sup>2</sup>	2-3.5	(8 ~ 12)

Magnetic contactor ( open type ) RSK-20J



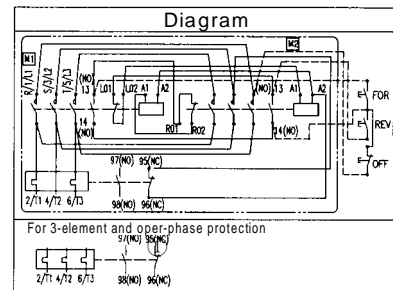
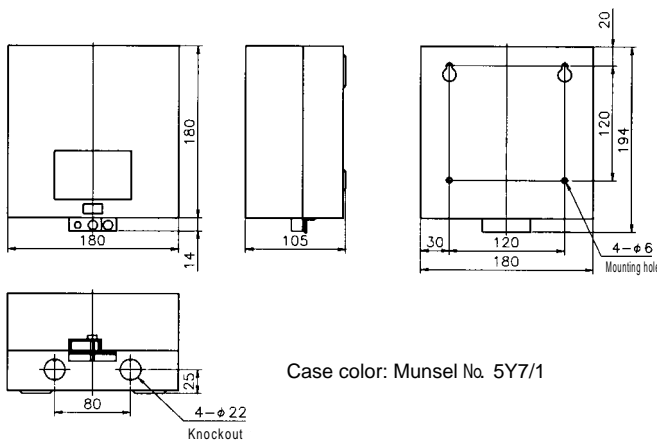
Weight 0.68kg

Magnetic starter ( open type ) RSK-20JTC



Weight 0.79kg

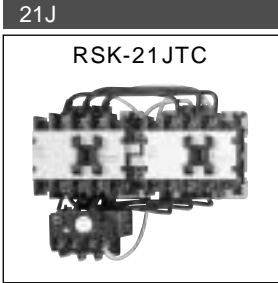
Magnetic starter · contactor ( enclosed type ) RSK-20JMC ( JB )



Weight 20JMC = 1.89kg  
20JB = 1.78kg

Dashed lines are not connected.  
Above diagram is for magnetic starter.

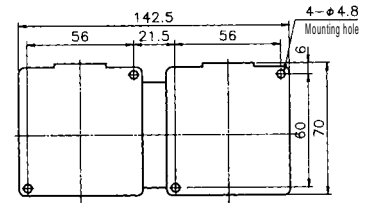
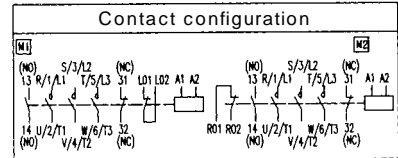
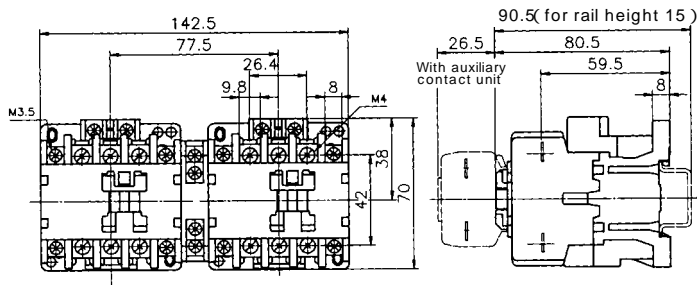
① If operating from other power source, remove " B ", and connect the supply to #95 and " A " on the pushbutton terminal.



Ratings		21J
Rated capacity	Frame	240V
		440V
		550V
	AC-3 (kW)	7.5
		11
		11
AC-1 (A) (500,000ops)	240V	32
	440V	32
	550V	32

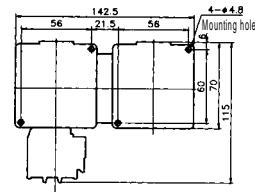
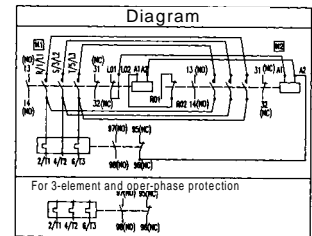
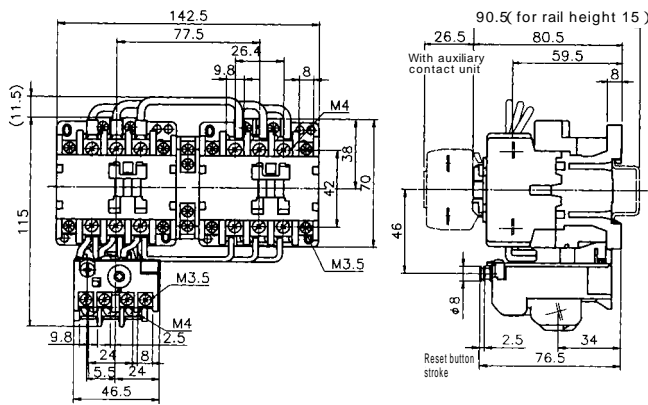
Applicable wire size and tightening torque					
		Screw size	Applicable wire size	Applicable terminal connector	Tightening torque N·m(kgf·cm)
Contactor	Main circuit	M4	1 ~ 2 0.5 ~ 3.5mm <sup>2</sup>	1.25-4 3.5-4	1.2 ~ 1.8 (12 ~ 18)
	Aux. circuit	M3.5	1 ~ 1.6 0.5 ~ 2mm <sup>2</sup>	1.25-3.5 2-3.5	0.8 ~ 1.2 (8 ~ 12)
Thermal overload relay	Main circuit	M4	1 ~ 2 0.5 ~ 3.5mm <sup>2</sup>	1.25-4 3.5-4	1.2 ~ 1.8 (12 ~ 18)
	Aux. circuit	M3.5	1 ~ 1.6 0.5 ~ 2mm <sup>2</sup>	1.25-3.5 2-3.5	0.8 ~ 1.2 (8 ~ 12)

Magnetic contactor ( open type ) RSK-21J



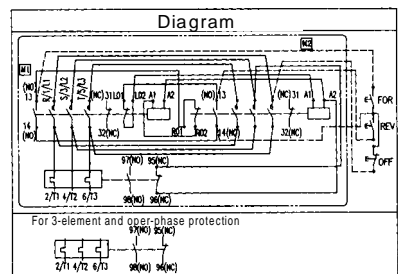
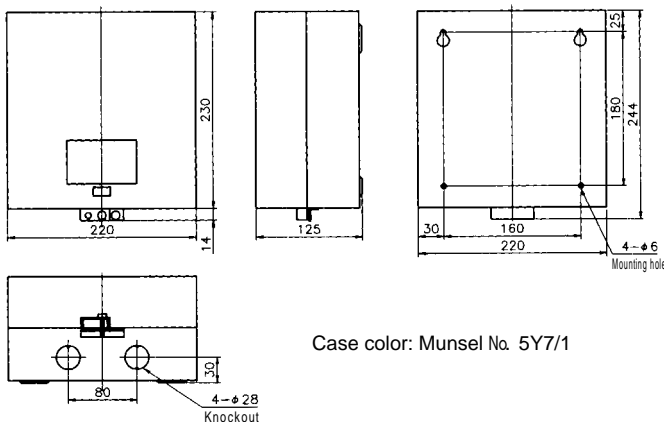
Weight 0.75kg

Magnetic starter ( open type ) RSK-21JTC



Weight 0.97kg

Magnetic starter · contactor ( enclosed type ) RSK-21JMC ( JB )



Weight 21JMC = 2.72kg  
21JB = 2.5kg

Dashed lines are not connected.  
Above diagram is for magnetic starter.

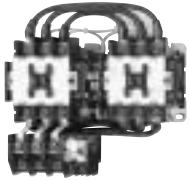
① If operating from other power source, remove " B ", and connect the supply to #95 and " A " on the pushbutton terminal.

26J · 35J

Ratings

Applicable wire size and tightening torque

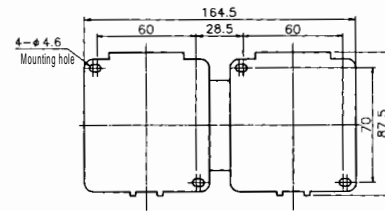
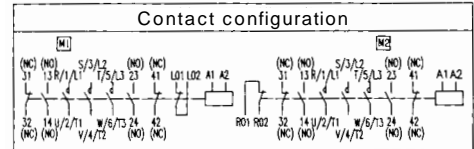
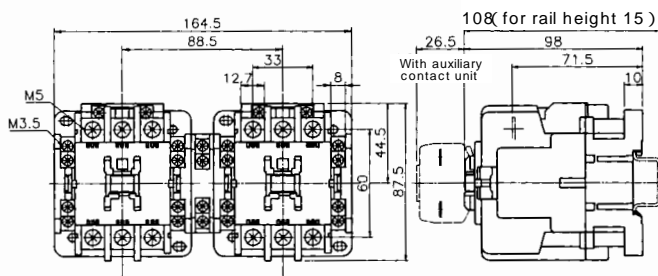
RSK-26JTC · 35JTC



Rated capacity	Frame		26J	35J
	AC-3 (kW)	240V	10	15
440V		20	26	
550V		20	26	
AC-1 (A) (500,000 ops)	240V	50	60	
	440V	50	60	
	550V	50	60	

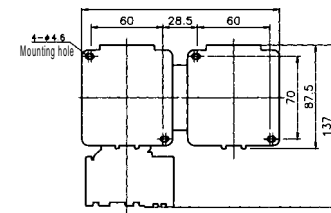
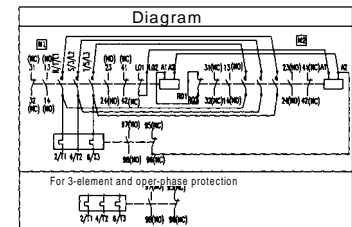
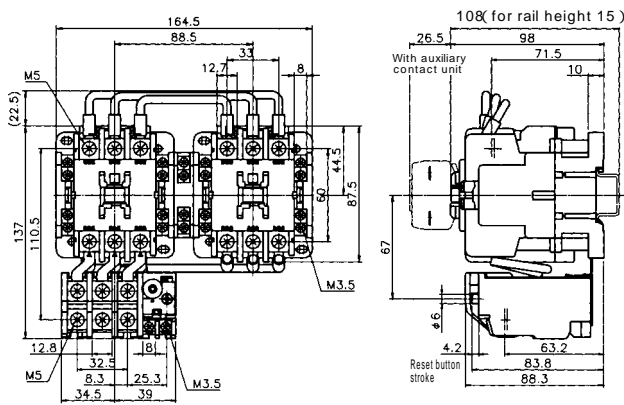
		Screw size	Applicable wire size	Applicable terminal connector	Tightening torque N·m(kgf·cm)
Contactor	Main circuit	M5	1.6 ~ 3.2 1.25 ~ 14mm <sup>2</sup>	1.25-5 14-5	2.4 ~ 3.5 ( 24 ~ 36 )
	Aux. circuit	M3.5	1 ~ 1.6 0.5 ~ 2mm <sup>2</sup>	1.25-3.5 2-3.5	0.8 ~ 1.2 ( 8 ~ 12 )
Thermal overload relay	Main circuit	M5	1.6 ~ 3.2 1.25 ~ 14mm <sup>2</sup>	1.25-5 14-5	2.4 ~ 3.5 ( 24 ~ 36 )
	Aux. circuit	M3.5	1 ~ 1.6 0.5 ~ 2mm <sup>2</sup>	1.25-3.5 2-3.5	0.8 ~ 1.2 ( 8 ~ 12 )

Magnetic contactor ( open type ) RSK-26J · 35J



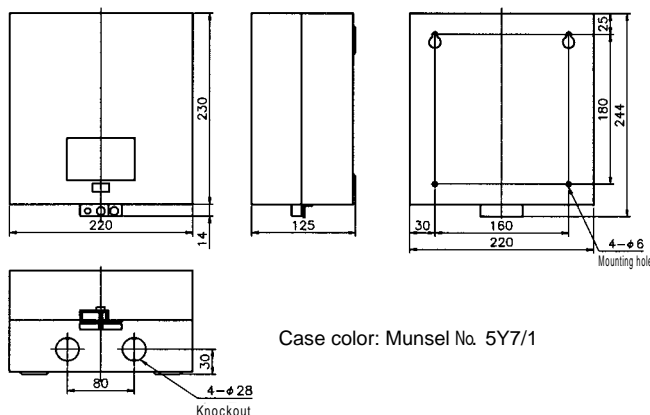
Weight 1.4kg

Magnetic starter ( open type ) RSK-26JTC · 35JTC

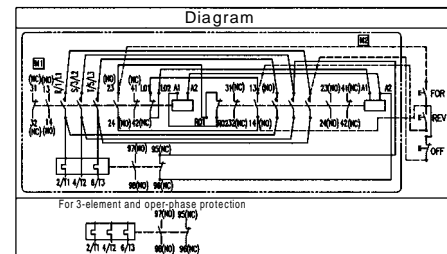


Weight 1.75kg

Magnetic starter · contactor ( enclosed type ) RSK-26JMC ( JB ) · RSK-35JMC ( JB )



Case color: Munsel No. 5Y7/1



Weight 26JMC · 35JMC = 3.5kg Dashed lines are not connected.  
26JB · 35JB = 3.15kg Above diagram is for magnetic starter.

① If operating from other power source, remove " B ", and connect the supply to #95 and " A " on the pushbutton terminal.

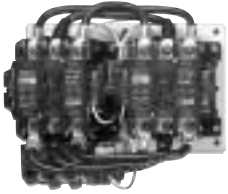


50H · 65H

Ratings

Applicable wire size and tightening torque

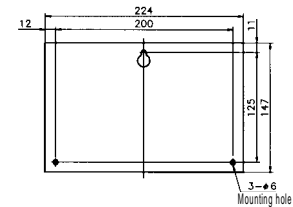
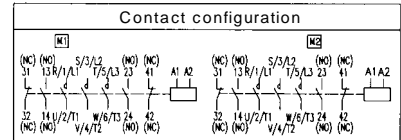
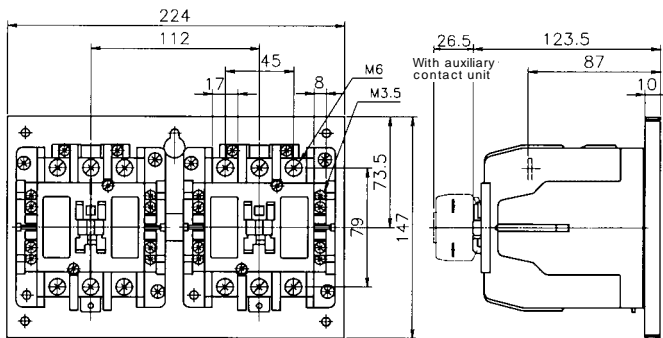
RSK-50HTC·65HTC



Rated capacity	Frame		50H	65H
	AC-3 (kW)	220V	15	19
		440V	30	37
		550V	26	37
	AC-1 (A) (500,000 ops)	220V	75	90
		440V	75	90
550V		75	90	

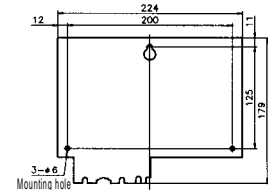
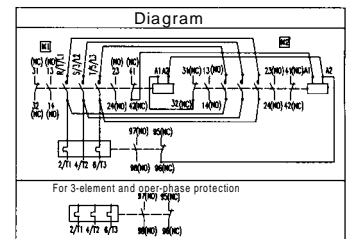
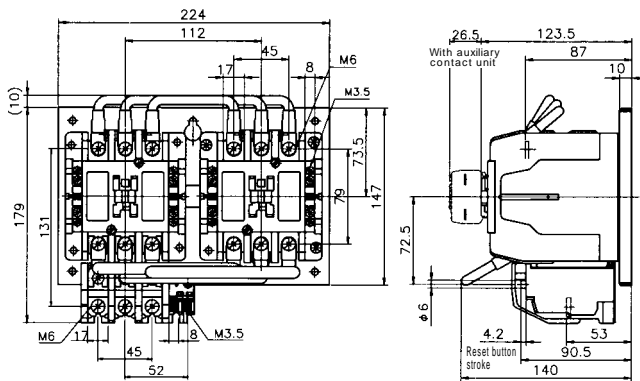
		Screw size	Applicable wire size	Applicable terminal connector	Tightening torque N·m(kgf·cm)
Contactor	Main circuit	M6	2 ~ 38mm <sup>2</sup> Using crimped terminals	2-6 38-6S	3.9 ~ 5.9 (40 ~ 60)
	Aux. circuit	M3.5	1 ~ 1.6 0.5 ~ 2mm <sup>2</sup>	1.25-3.5 2-3.5	0.8 ~ 1.2 (8 ~ 12)
Thermal overload relay	Main circuit	M6	2 ~ 38mm <sup>2</sup> Using crimped terminals	2-6 38-6S	3.9 ~ 5.9 (40 ~ 60)
	Aux. circuit	M3.5	1 ~ 1.6 0.5 ~ 2mm <sup>2</sup>	1.25-3.5 2-3.5	0.8 ~ 1.2 (8 ~ 12)

Magnetic contactor ( open type ) RSK-50H · 65H



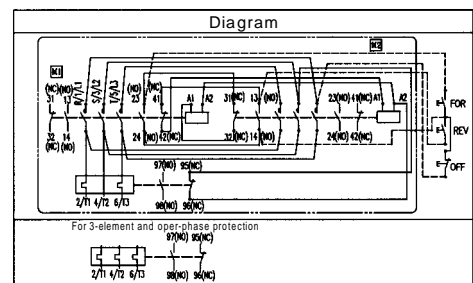
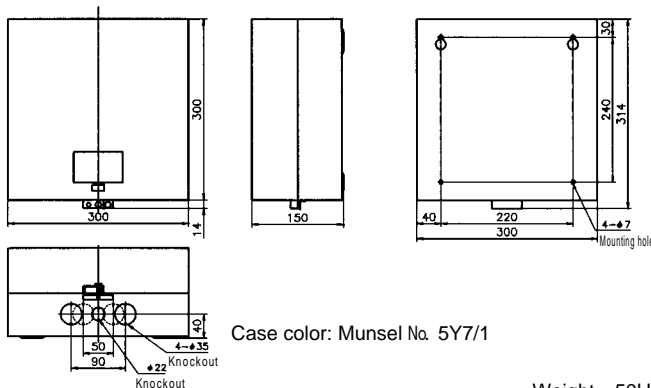
Weight 50H = 3.22kg 65H = 3.42kg

Magnetic starter ( open type ) RSK-50HTC · 65HTC



Weight 50HTC = 3.95kg 65HTC = 4.45kg

Magnetic starter · contactor ( enclosed type ) RSK-50HMC ( HB ) · 65HMC ( HB )



Weight 50HMC = 6.91kg · 65HMC = 7.41kg  
50HB = 6.18kg · 65HB = 6.38kg

Dashed lines are not connected.  
Above diagram is for magnetic starter.

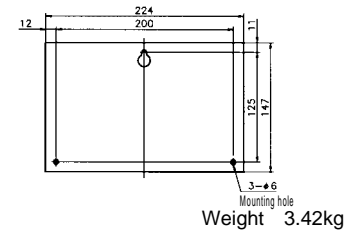
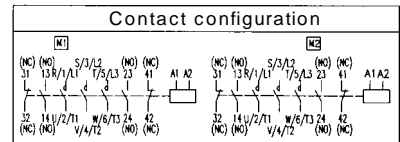
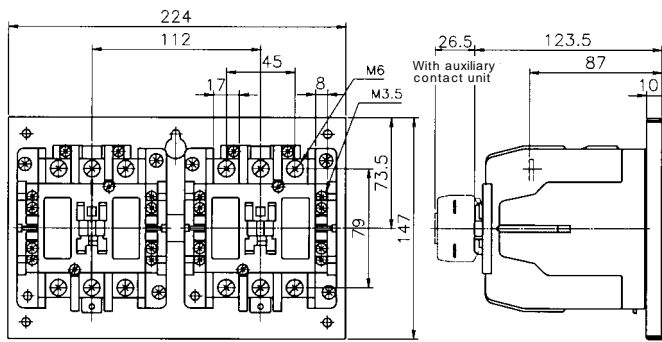
① If operating from other power source, remove " B ", and connect the supply to #95 and " A " on the pushbutton terminal.



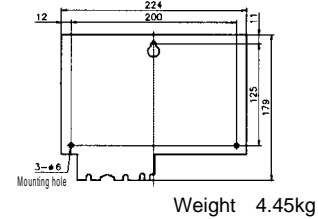
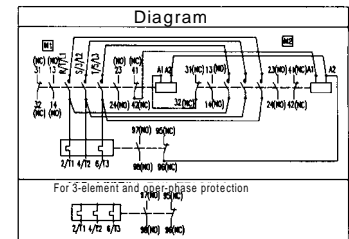
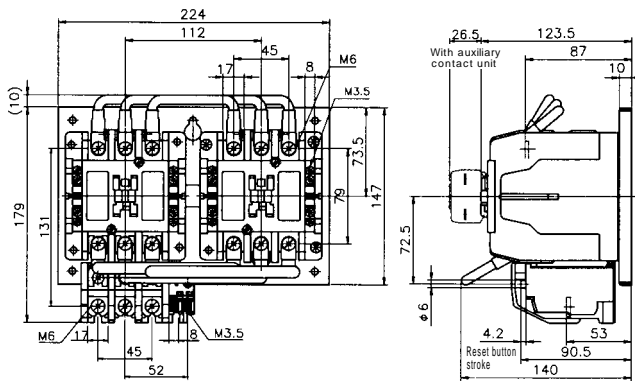
Ratings		80H	
Rated capacity	Frame		
		AC-3 (kW)	220V 22
			440V 45
		550V 45	
	AC-1 (A) (500,000 ops)	220V 110	
		440V 110	
550V 110			

Applicable wire size and tightening torque					
		Screw size	Applicable wire size	Applicable terminal connector	Tightening torque N·m (kgf·cm)
Contactor	Main circuit	M6	2 ~ 38mm <sup>2</sup> Using crimped terminals	2 - 6 38 - 6S	3.9 ~ 5.9 (40 ~ 60)
	Aux. circuit	M3.5	1 ~ 1.6 0.5 ~ 2mm <sup>2</sup>	1.25 - 3.5 2 - 3.5	0.8 ~ 1.2 (8 ~ 12)
Thermal overload relay	Main circuit	M6	2 ~ 38mm <sup>2</sup> Using crimped terminals	2 - 6 38 - 6S	3.9 ~ 5.9 (40 ~ 60)
	Aux. circuit	M3.5	1 ~ 1.6 0.5 ~ 2mm <sup>2</sup>	1.25 - 3.5 2 - 3.5	0.8 ~ 1.2 (8 ~ 12)

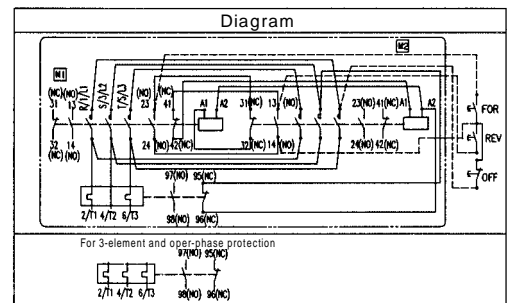
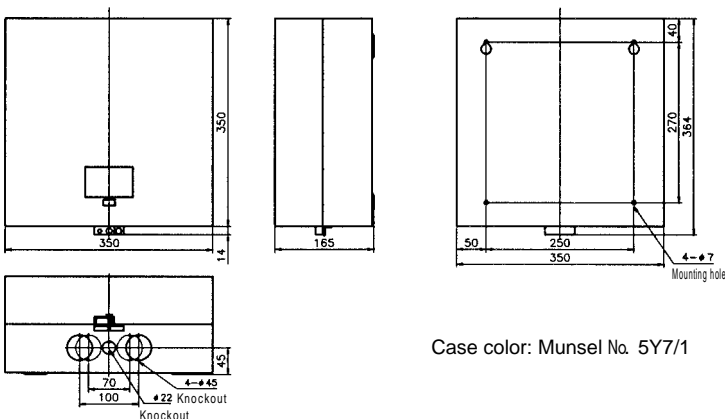
Magnetic contactor ( open type ) RSK-80H



Magnetic starter ( open type ) RSK-80HTC



Magnetic starter · contactor ( enclosed type ) RSK-80HMC ( HB )

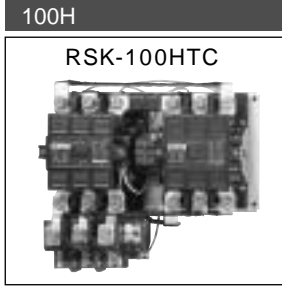


Weight 80HMC = 8.4kg  
80HB = 7.37kg

Dashed lines are not connected.  
Above diagram is for magnetic starter.

① If operating from other power source, remove " B ", and connect the supply to #95 and " A " on the pushbutton terminal.

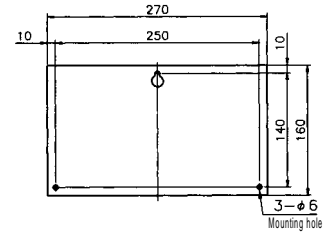
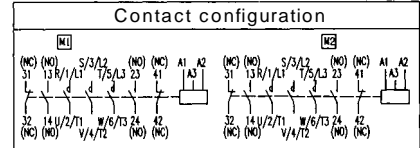
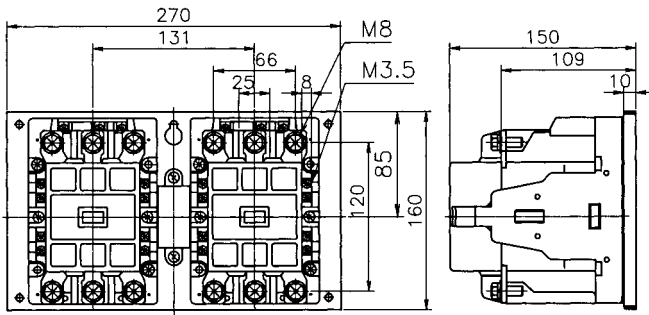




Rated capacity		Frame	100H
AC-3 (kW)		220V	30
		440V	55
		550V	55
AC-1 (A) (500,000 ops)		220V	150
		440V	150
		550V	150

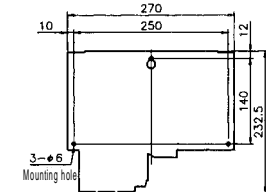
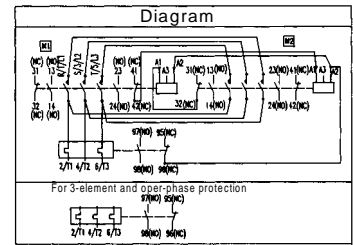
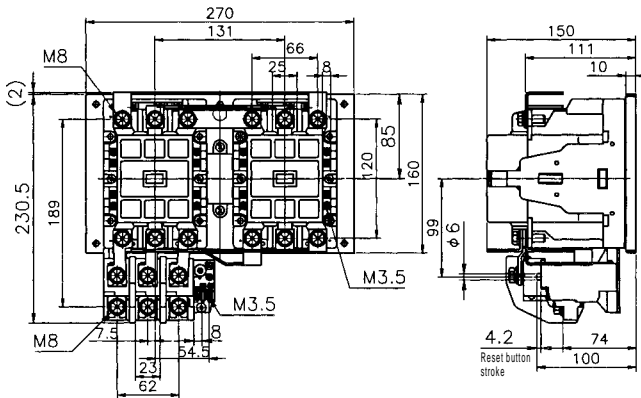
Applicable wire size and tightening torque					
		Screw size	Applicable wire size	Applicable terminal connector	Tightening torque N·m(kgf·cm)
Contactor	Main circuit	M8	2 ~ 80mm <sup>2</sup> Using crimped terminals	2-8 CB80-8	9.0 ~ 13.5 (92 ~ 138)
	Aux. circuit	M3.5	1 ~ 1.6 0.5 ~ 2mm <sup>2</sup>	1.25-3.5 2-3.5	0.8 ~ 1.2 (8 ~ 12)
Thermal overload relay	Main circuit	M8	2 ~ 80mm <sup>2</sup> Using crimped terminals	2-8 CB80-8	9.0 ~ 13.5 (92 ~ 138)
	Aux. circuit	M3.5	1 ~ 1.6 0.5 ~ 2mm <sup>2</sup>	1.25-3.5 2-3.5	0.8 ~ 1.2 (8 ~ 12)

Magnetic contactor ( open type ) RSK-100H



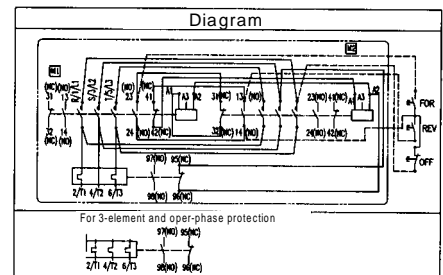
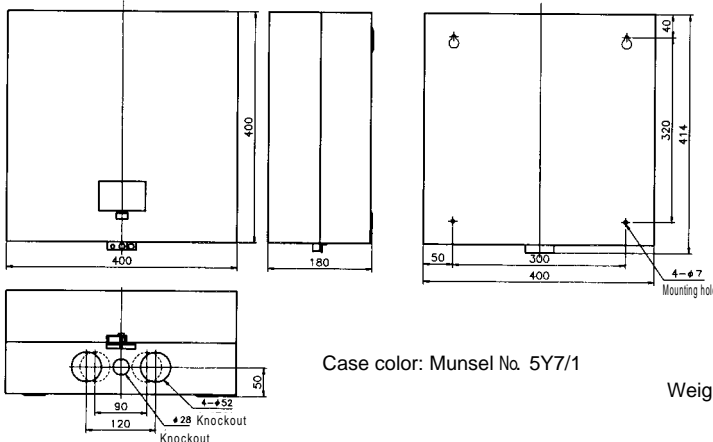
Weight 6.8kg

Magnetic starter ( open type ) RSK-100HTC



Weight 8.1kg

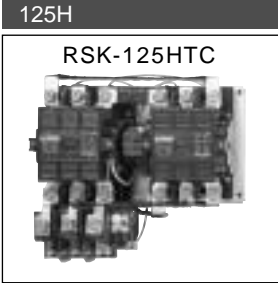
Magnetic starter · contactor ( enclosed type ) RSK-100HMC ( HB )



Weight 100HMC = 14.3kg  
100HB = 13.0kg

Dashed lines are not connected.  
Above diagram is for magnetic starter.

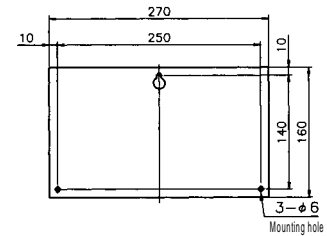
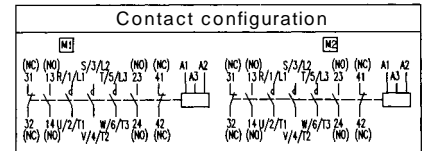
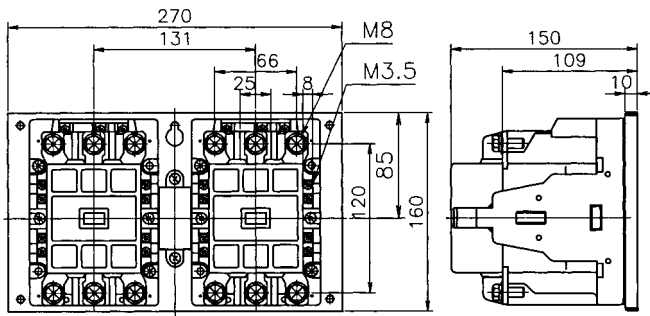
① If operating from other power source, remove " B ", and connect the supply to #95 and " A " on the pushbutton terminal.



Ratings		125H
Rated capacity	Frame	220V
		440V
		550V
	AC-3 (kW)	37
		60
		70
AC-1 (A) (500,000 ops)	220V	170
	440V	170
	550V	170

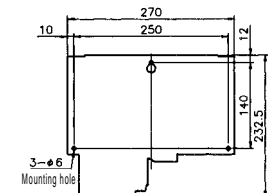
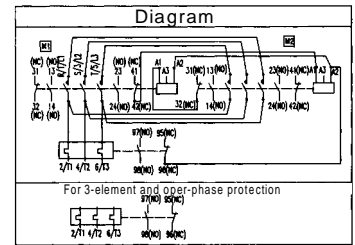
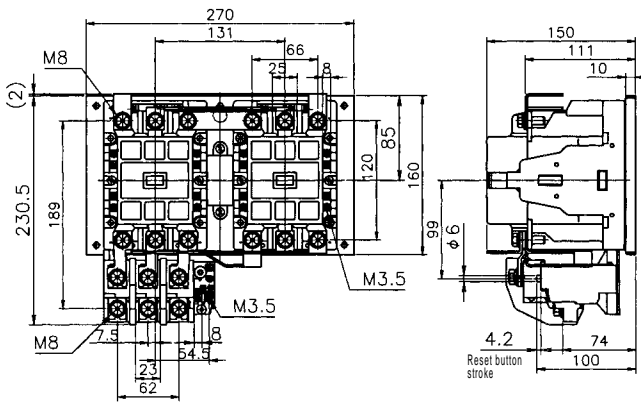
Applicable wire size and tightening torque					
		Screw size	Applicable wire size	Applicable terminal connector	Tightening torque N·m(kgf·cm)
Contactor	Main circuit	M8	2 ~ 80mm <sup>2</sup> Using crimped terminals	2-8 CB80-8	9.0 ~ 13.5 (92 ~ 138)
	Aux. circuit	M3.5	1 ~ 1.6 0.5 ~ 2mm <sup>2</sup>	1.25-3.5 2-3.5	0.8 ~ 1.2 (8 ~ 12)
Thermal overload relay	Main circuit	M8	2 ~ 80mm <sup>2</sup> Using crimped terminals	2-8 CB80-8	9.0 ~ 13.5 (92 ~ 138)
	Aux. circuit	M3.5	1 ~ 1.6 0.5 ~ 2mm <sup>2</sup>	1.25-3.5 2-3.5	0.8 ~ 1.2 (8 ~ 12)

Magnetic contactor ( open type ) RSK-125H



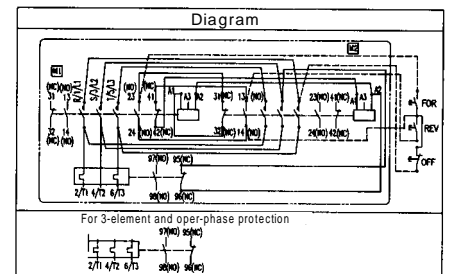
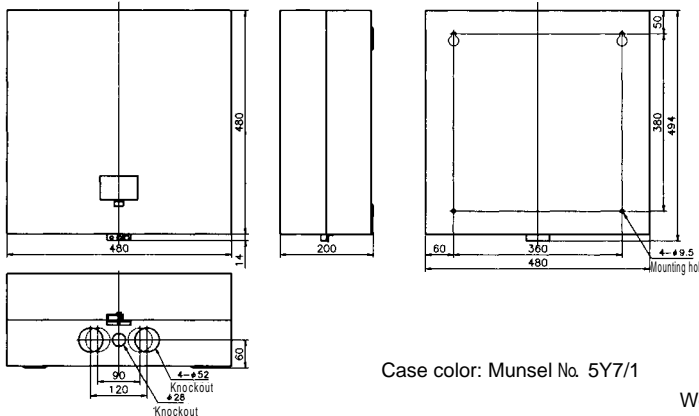
Weight 6.8kg

Magnetic starter ( open type ) RSK-125HTC



Weight 8.1kg

Magnetic starter · contactor ( enclosed type ) RSK-125HMC ( HB )

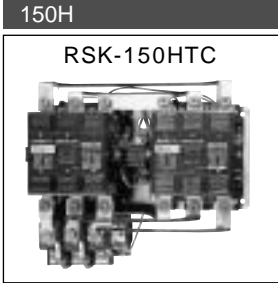


Case color: Munsel No. 5Y7/1

Weight 125HMC = 18.0kg  
125HB = 16.7kg

Dashed lines are not connected.  
Above diagram is for magnetic starter.

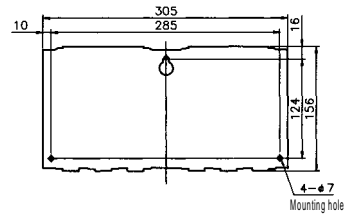
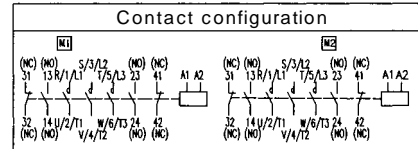
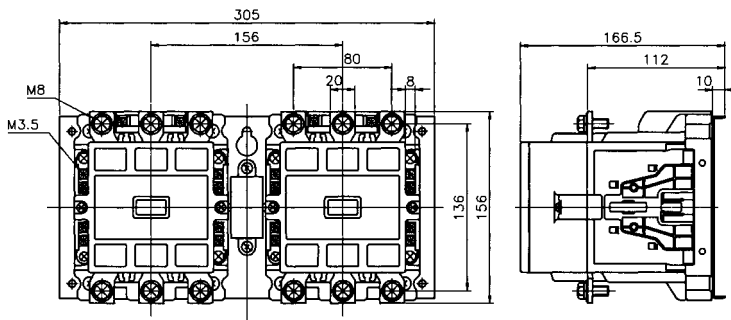
① If operating from other power source, remove " B ", and connect the supply to #95 and " A " on the pushbutton terminal.



Ratings		Frame	150H
Rated capacity	AC-3 (kW)	220V	55
		440V	75
		550V	75
	AC-1(A) (500,000 ops)	220V	220
		440V	220
		550V	220

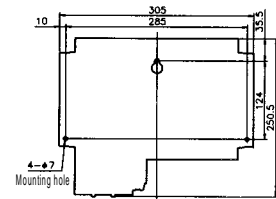
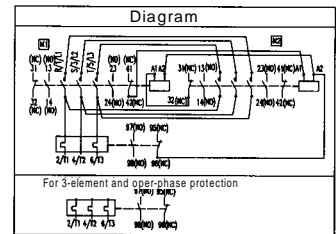
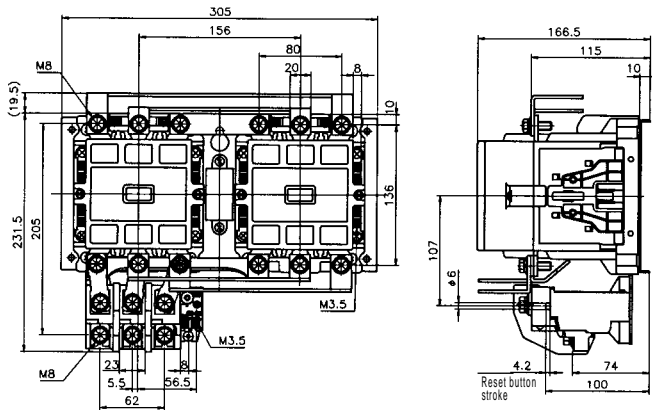
Applicable wire size and tightening torque					
		Screw size	Applicable wire size	Applicable terminal connector	Tightening torque N·m(kgf·cm)
Contactor	Main circuit	M8	2 ~ 100mm <sup>2</sup> Using crimped terminals	2-8 CB100-8	9.0 ~ 13.5 (92 ~ 138)
	Aux. circuit	M3.5	1 ~ 1.6 0.5 ~ 2mm <sup>2</sup>	1.25-3.5 2-3.5	0.8 ~ 1.2 (8 ~ 12)
Thermal overload relay	Main circuit	M8	2 ~ 100mm <sup>2</sup> Using crimped terminals	2-8 CB100-8	9.0 ~ 13.5 (92 ~ 138)
	Aux. circuit	M3.5	1 ~ 1.6 0.5 ~ 2mm <sup>2</sup>	1.25-3.5 2-3.5	0.8 ~ 1.2 (8 ~ 12)

Magnetic contactor ( open type ) RSK-150H



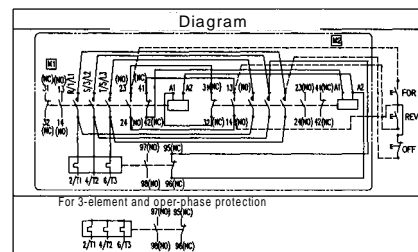
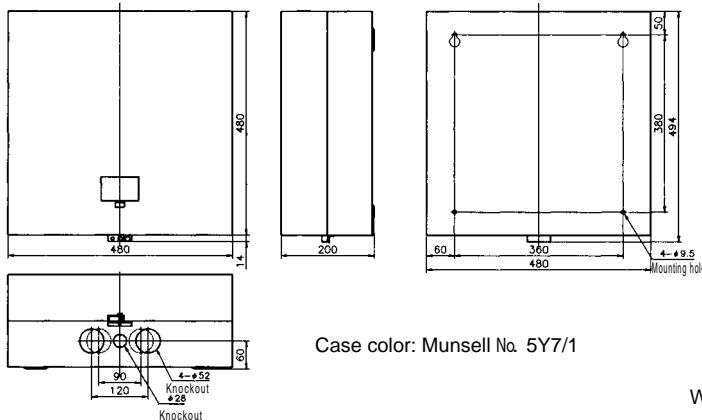
Weight 8.68kg

Magnetic starter ( open type ) RSK-150HTC



Weight 9.75kg

Magnetic starter · contactor ( enclosed type ) RSK-150HMC ( HB )



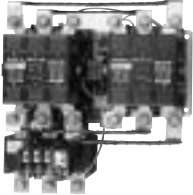
Weight 150HMC = 19.8kg  
150HB = 18.7kg

Dashed lines are not connected.  
Above diagram is for magnetic starter.

① If operating from other power source, remove " B ", and connect the supply to #95 and " A " on the pushbutton terminal.

220H

RSK-220HTC



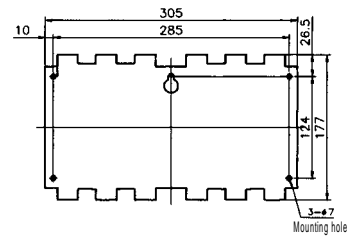
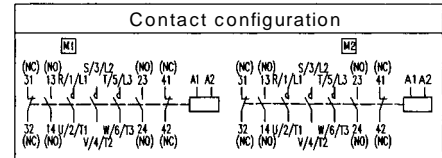
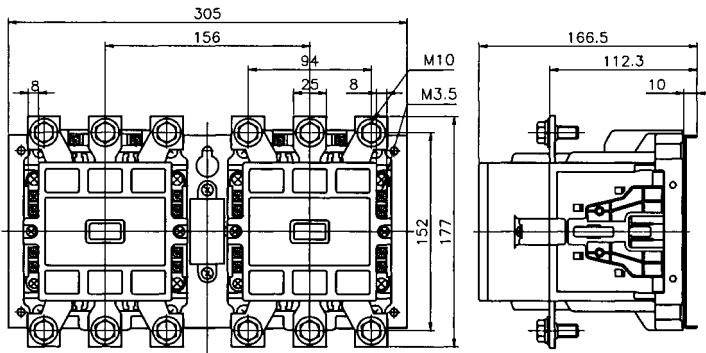
Ratings

Rated capacity	Frame		220H
	AC-3 (kW)	220V	75
440V			95
550V			95
AC-1 (A) 500,000 ops	220V	275	275
		440V	275
		550V	275

Applicable wire size and tightening torque

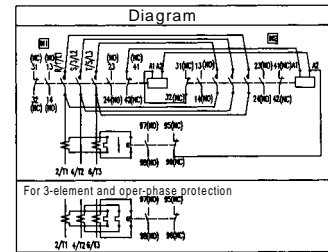
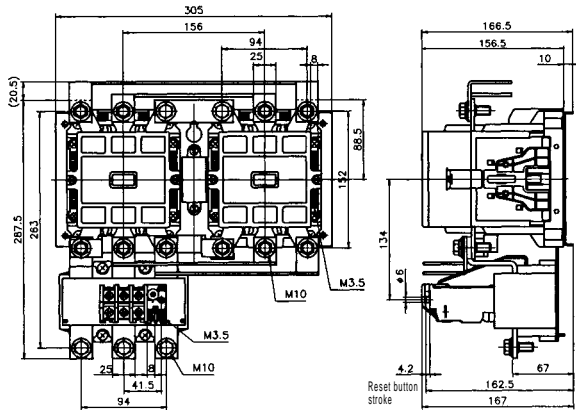
		Screw size	Applicable wire size	Applicable terminal connector	Tightening torque N·m(kgf·cm)
Contactor	Main circuit	M10	2 ~ 150mm <sup>2</sup> Using crimped terminals	2-10 CB150-10	18.1 ~ 27 (185 ~ 275)
	Aux. circuit	M3.5	1 ~ 1.6 0.5 ~ 2mm <sup>2</sup>	1.25-3.5 2-3.5	0.8 ~ 1.2 (8 ~ 12)
Thermal overload relay	Main circuit	M10	2 ~ 150mm <sup>2</sup> Using crimped terminals	2-10 CB150-10	18.1 ~ 27 (185 ~ 275)
	Aux. circuit	M3.5	1 ~ 1.6 0.5 ~ 2mm <sup>2</sup>	1.25-3.5 2-3.5	0.8 ~ 1.2 (8 ~ 12)

Magnetic contactor ( open type ) RSK-220H

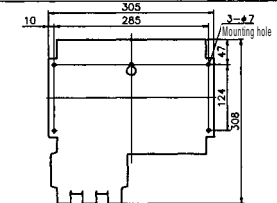


Weight 9.9kg

Magnetic starter ( open type ) RSK-220HTC

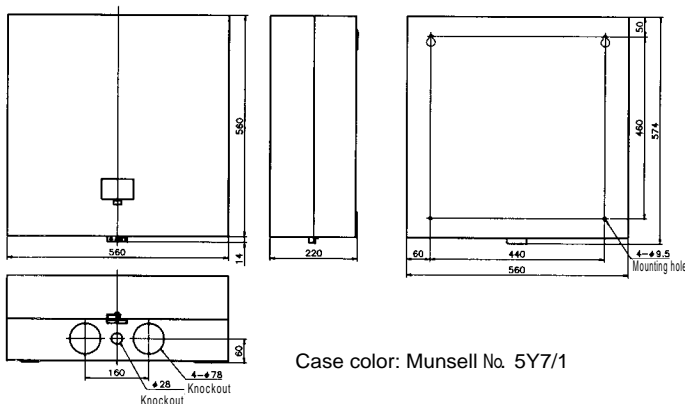


For 3-element and over-phase protection

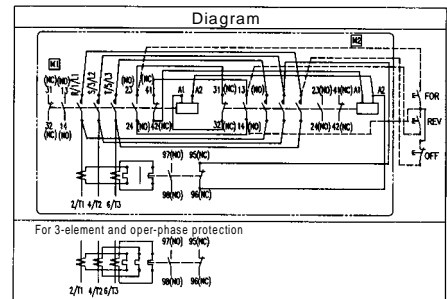


Weight 12.4kg

Magnetic starter · contactor ( enclosed type ) RSK-220HMC ( HB )



Case color: Munsell No. 5Y7/1



For 3-element and over-phase protection

Weight 220HMC = 22.4kg  
220HB = 19.9kg

Dashed lines are not connected.  
Above diagram is for magnetic starter.

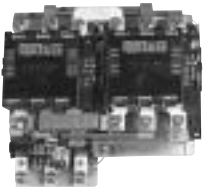
① If operating from other power source, remove " B ", and connect the supply to #95 and " A " on the pushbutton terminal.

300H · 400H

Ratings

Applicable wire size and tightening torque

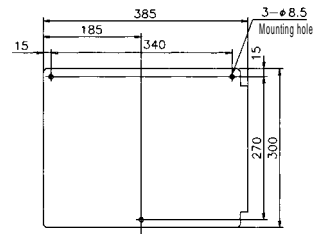
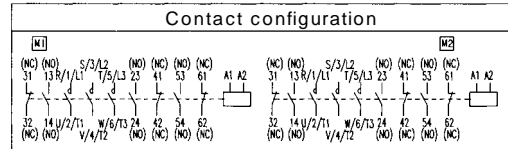
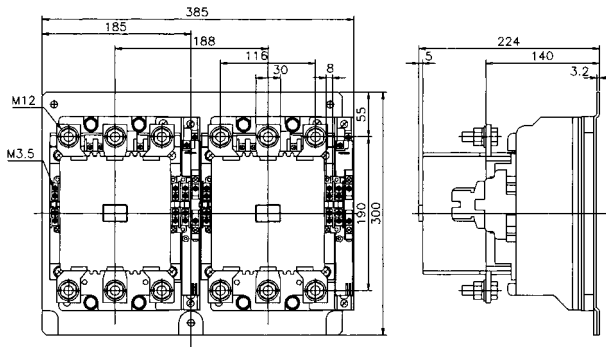
RSK-300HT · 400HT



Rated capacity	Frame		300H	400H
	AC-3 (kW)	220V	90	115
		440V	150	200
		550V	160	200
	AC-1(A) (500,000 ops)	220V	350	420
440V		350	420	
550V		-	-	

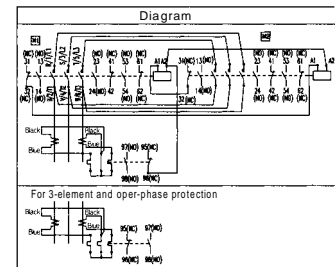
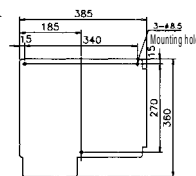
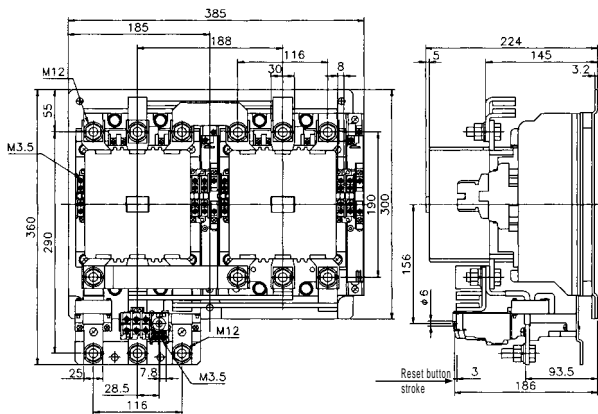
		Screw size	Applicable wire size	Applicable terminal connector	Tightening torque N·m(kgf·cm)
Contactor	Main circuit	M12	2 ~ 200mm <sup>2</sup>	2-12 200-12	30.4 ~ 46.1 (310 ~ 470)
	Aux. circuit	M3.5	1 ~ 2 0.5 ~ 3.5mm <sup>2</sup>	1.25-3.5 2-3.5	0.8 ~ 1.2 (8 ~ 12)
Thermal overload relay	Main circuit	M10	2 ~ 200mm <sup>2</sup>	2-12 200-12	30.4 ~ 46.1 (310 ~ 470)
	Aux. circuit	M3.5	1 ~ 1.6 0.5 ~ 2mm <sup>2</sup>	1.25-3.5 2-3.5	0.8 ~ 1.2 (8 ~ 12)

Magnetic contactor ( open type ) RSK-300H · 400H



Weight 25kg

Magnetic starter ( open type ) RSK-300HT · 400HT



Weight 30kg